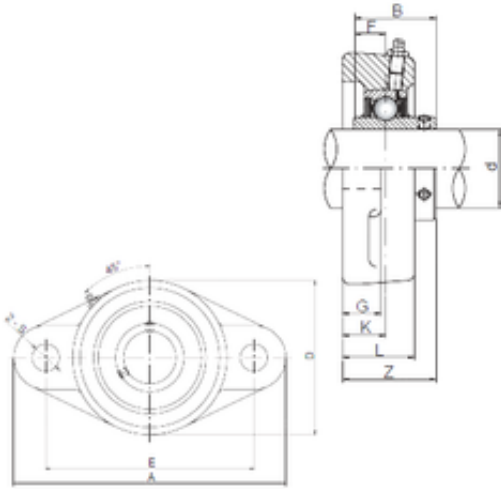




NTN BEARING MFG.CORP.

35 mm x 100 mm x 48 mm ISO UCFL307 Bearing Unit

Bearing No. UCFL307



UCFL307 Bearing 2D drawings and 3D CAD models

Bore Diameter	35 mm
d	35 mm
B	48 mm
Z	49 mm
A	185 mm
D	100 mm
E	141 mm
F	19 mm
G	16 mm
K	20 mm
L	36 mm
S	23 mm
Bolt (G)	M20