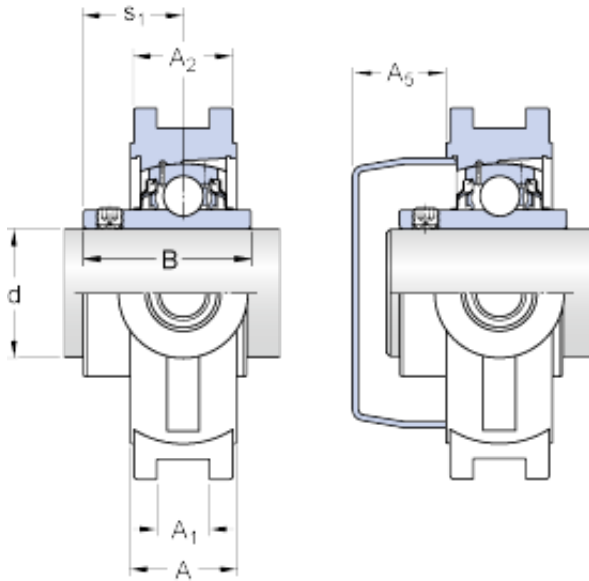




# NTN BEARING MFG.CORP.



TUWK 20 LTA Bearing 2D drawings and 3D CAD models

## SKF TUWK 20 LTA Bearing Unit

Bearing No. TUWK 20 LTA

Size	20x27.5x12 mm
Bore Diameter	20 mm
Outer Diameter	27,5 mm
Width	12 mm
d	20 mm
A	27.5 mm
A <sub>1</sub>	12 mm
A <sub>2</sub>	24.5 mm
A <sub>5</sub>	20.3 mm
B	31 mm
H	89 mm
H <sub>1</sub>	76 mm
H <sub>2</sub>	36 mm
L	99 mm
L <sub>1</sub>	64 mm
L <sub>3</sub>	46 mm
G	M16
G <sub>1</sub>	21 mm
s <sub>1</sub>	18.3 mm
Basic dynamic load rating - C	12.7 kN
Basic static load rating - C <sub>0</sub>	6.6 kN
Fatigue load limit - P <sub>u</sub>	0.28 kN
Limiting speed with shaft tolerance h6	5000 r/min



## NTN BEARING MFG.CORP.

Mass bearing unit	0.34 kg
Grub (set) screw - G <sub>2</sub>	M6x0.75
Hexagonal key size for grub screw - H	3 mm
Recommended tightening torque for grub screw	4 N · m
Housing	TUWK 504 L
Bearing - YAR 204-2RF/VE495	YAR 2042RF/VE495
Category	Bearings
Inventory	0.0
Manufacturer Name	SKF
Minimum Buy Quantity	N/A
Weight / Kilogram	0
Product Group	M06110
Housing material	Composite for food and beverage
A <sub>1</sub>	12 mm
A <sub>2</sub>	24.5 mm
A <sub>5</sub>	20.3 mm
B <sub>4</sub>	4.5 mm
H <sub>1</sub>	76 mm
H <sub>2</sub>	36 mm
L <sub>1</sub>	64 mm
L <sub>3</sub>	46 mm
G <sub>1</sub>	21 mm
s <sub>1</sub>	18.3 mm
Basic dynamic load rating C	12.7 kN
Basic static load rating C <sub>0</sub>	6.55 kN
Fatigue load limit P <sub>u</sub>	0.28 kN
Grub (set) screw G <sub>2</sub>	M6x0.75
Hexagonal key size for grub screw N	3 mm