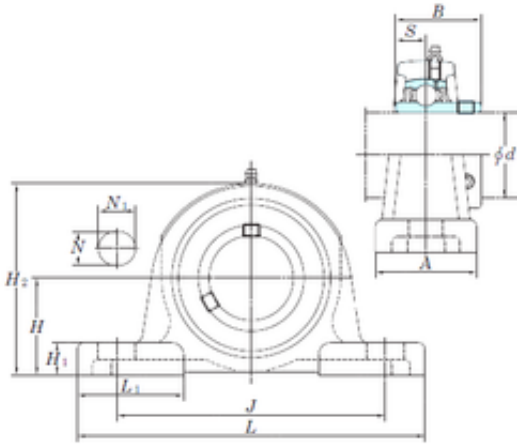




NTN BEARING MFG.CORP.

KOYO UCP320-63 Bearing Unit

Bearing No. UCP320-63



UCP320-63 Bearing 2D drawings and 3D CAD models

Bore Diameter	100,0125 mm
Width	108 mm
d	100,0125 mm
A	120 mm
B	108 mm
H	140 mm
H1	46 mm
H2	273 mm
J	380 mm
L	490 mm
L1	140 mm
N	36 mm
N1	50 mm
S	42 mm
Bolt (G)	M30
Weight	35,1 Kg
Basic dynamic load rating (C)	173 kN
Basic static load rating (C0)	141 kN