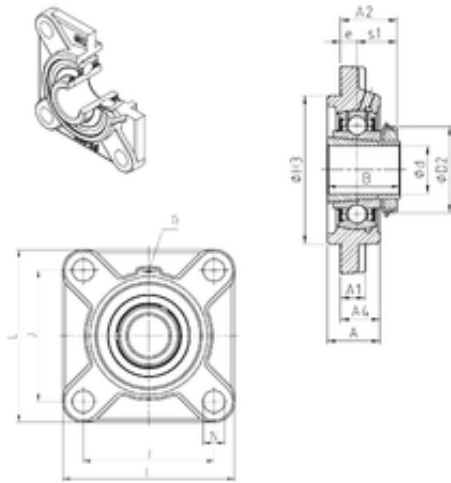




NTN BEARING MFG.CORP.

SNR UKFS307H Bearing Unit

Bearing No. UKFS307H



UKFS307H Bearing 2D drawings and 3D CAD models

Bore Diameter	30 mm
d	30 mm
H3	100 mm
A4	27 mm
e	11 mm
s1	25,5 mm
A	36 mm
A1	16 mm
B	43 mm
D2	52 mm
J	100 mm
L	135 mm
N	19 mm
Thread (G)	M6x1
A2	36,5 mm
Weight	2,5 Kg
Basic dynamic load rating (C)	33,5 kN